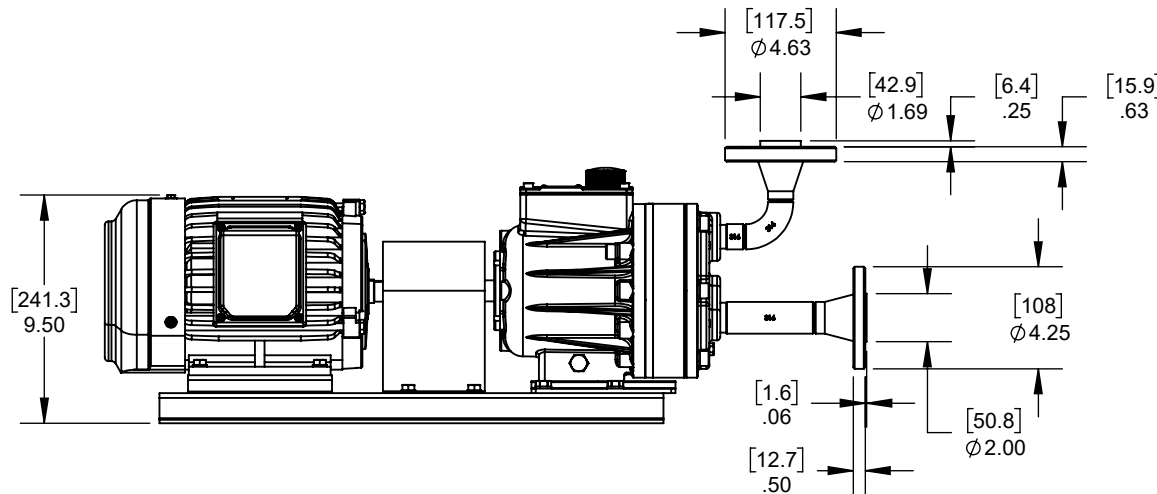
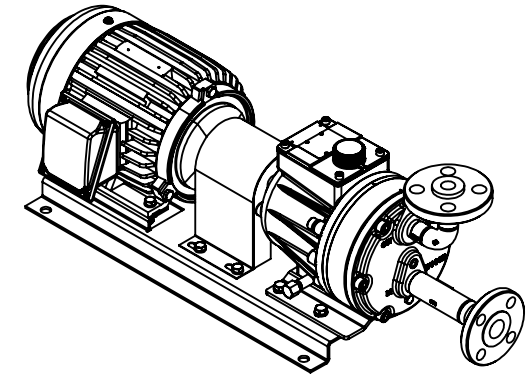
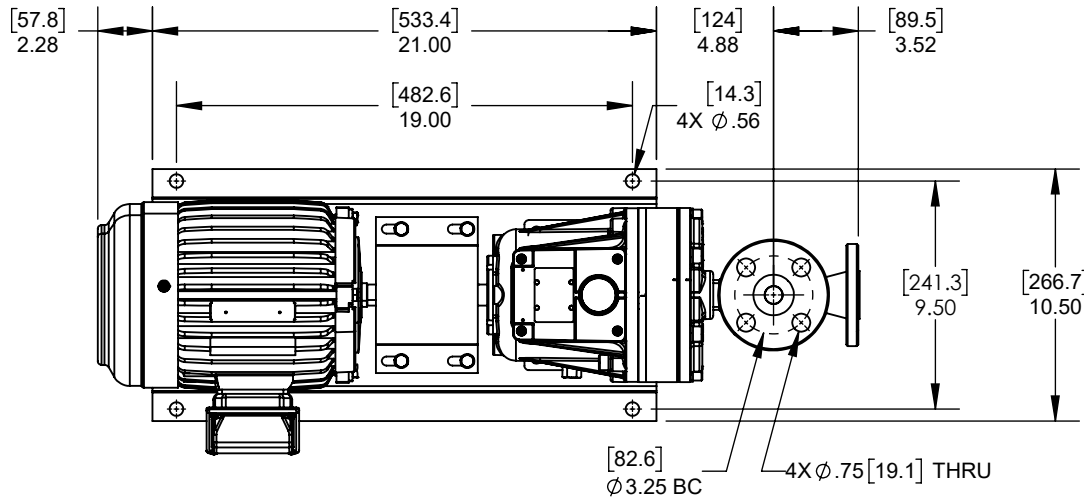




D10 ANSI FLANGE HORIZONTAL DIRECT DRIVE (HDD), 56C, 143T, 145T Inches [mm]



3/4" 600 lb ANSI FLANGE
OUTLET PORT

4X ϕ .63 [15.9] THRU

[79.4]
 ϕ 3.13 BC

[31.8]
1.25

[31.8]
1.25

[181]
7.13

[111.5]
4.39

1" 150 lb ANSI FLANGE
INLET PORT

NOTES:

1. PUMP MODEL: D10
2. CONFIGURATION TYPE: HORIZONTAL DIRECT DRIVE (HDD)
3. MOTOR FRAME SIZES: 56C, 143T, 145T
4. MOTOR SIZE SHOWN: NEMA 145T
5. BASEPLATE PART NUMBER SHOWN: 104-050

All dimensions are for reference only, actual dimensions may vary. Pump, motor, mounting, and drive components sold separately. Consult factory for a quote.