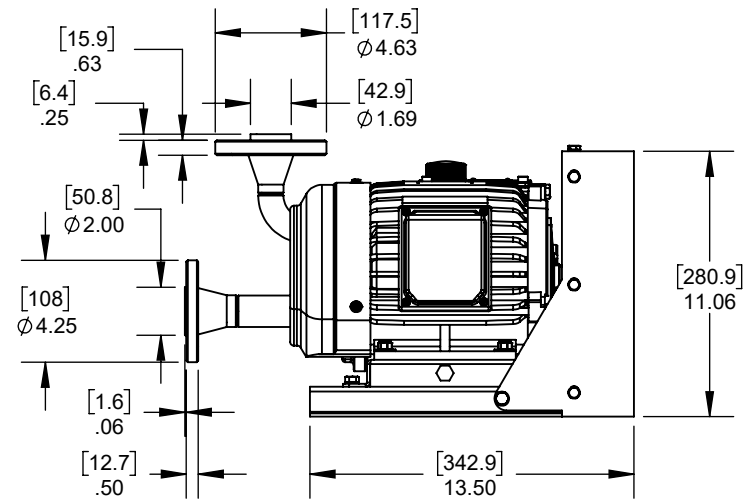
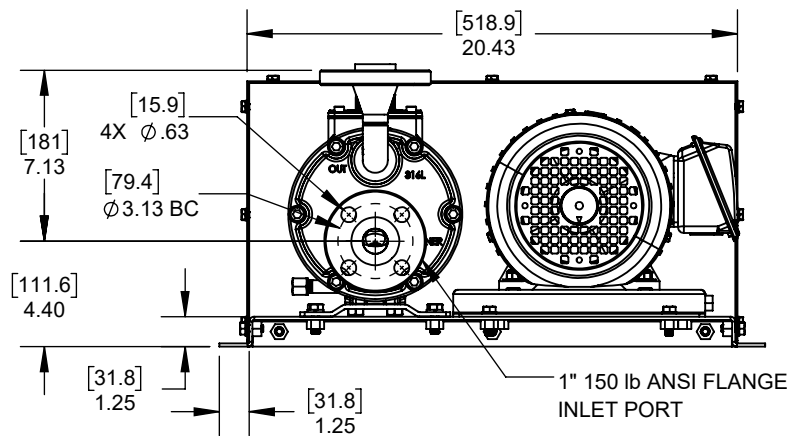
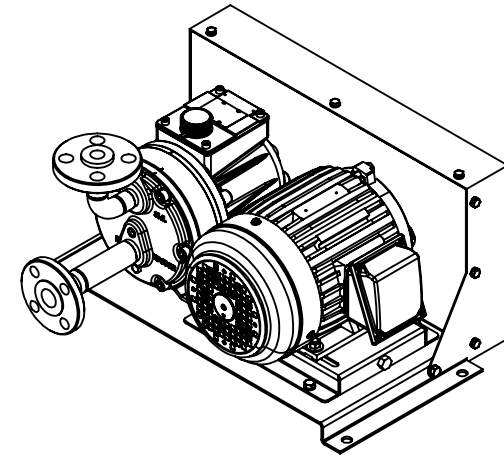
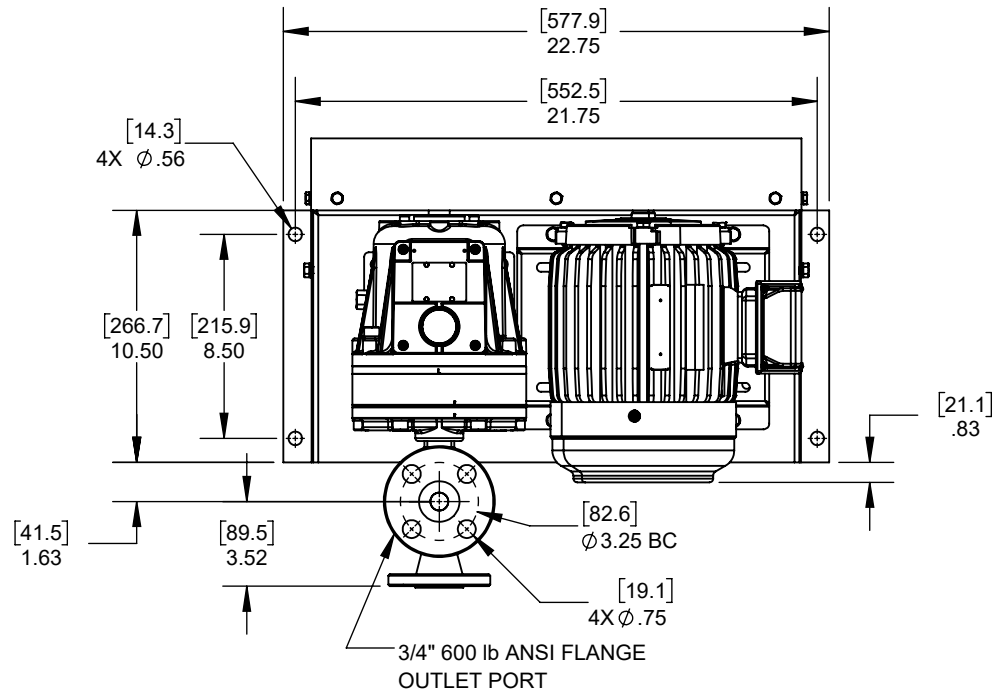


D10 ANSI FLANGE HORIZONTAL BELT DRIVE (HBD), 56C, 143T, 145T Inches [mm]



NOTES:

1. PUMP MODEL: D10
2. CONFIGURATION TYPE: HORIZONTAL BELT DRIVE (HBD)
3. MOTOR FRAME SIZES: 56C, 143T, 145T
4. MOTOR SIZE SHOWN: NEMA 145T
5. BASEPLATE PART NUMBER SHOWN: 104-150

All dimensions are for reference only, actual dimensions may vary. Pump, motor, mounting, and drive components sold separately. Consult factory for a quote.